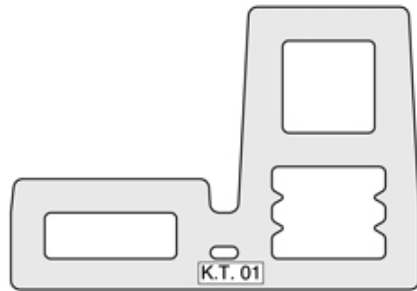
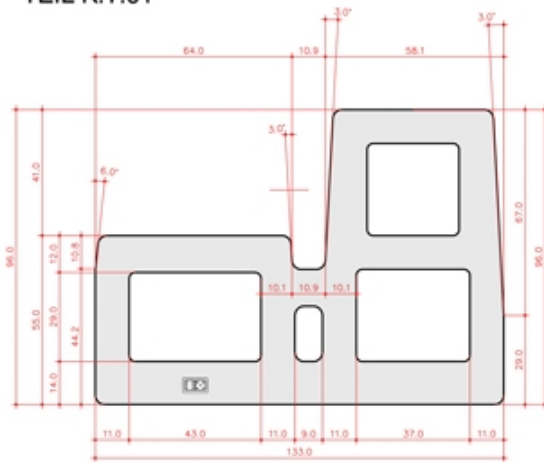


TERRART® - Type 01



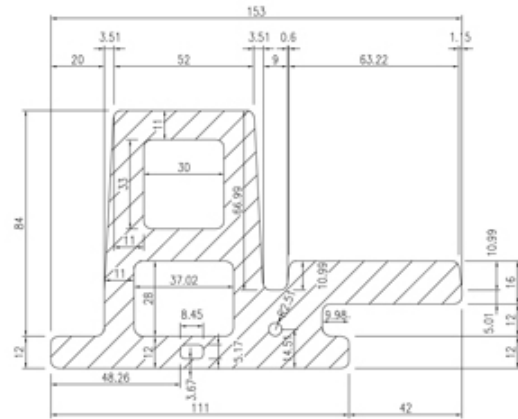
TEIL K.T.01



NEUTEIL 11

Alle Radien 3 mm


CSG Central St. Giles - Ceramic Facades - Neuteil 11 - Sc. 1/1 - RPBW April 2007



APPROVED BY:
PROJECT: CSG
NBK COLOUR: M 1.01-0
CLIENT:
DATE: 27.03.2007
SIGNATURE:

Dryhole position and size
by NBK

All Radius = (3mm)

Revised :		Date :	Modification :	Checked :
 Reeser Strasse 235 46446 Emmerich Tel.: +49 2822 8111 - 0 Fax: +49 2822 8111 - 20 http://www.nbk.de info@nbk-keramik.de				
Drawn :	Stroescu	Date :	27.03.2007	Size :
Title :				Checked :
TerrArt Type 01				Drawing No.:
CSG				01
Project :				Rev.:
				Project No.:
				Scale :
				1 : 3

Title TerrArt Type 01 CSG

Scale NTS

Date 2007/03/27

Drawing number -

Drawing code SGI_DW_444

Author NBK Keramik

Copyright NBK Keramik