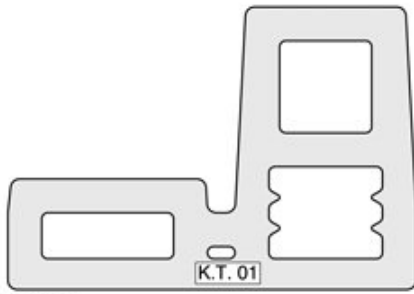
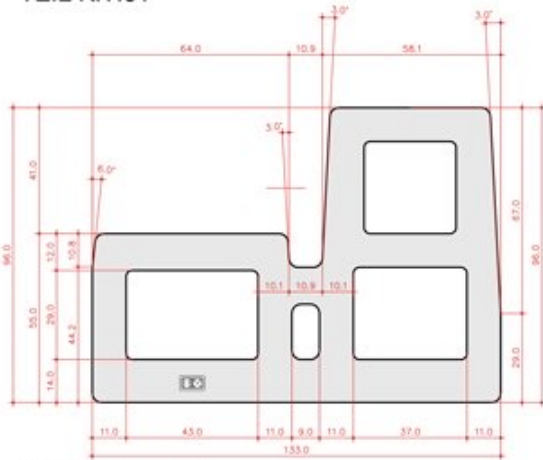
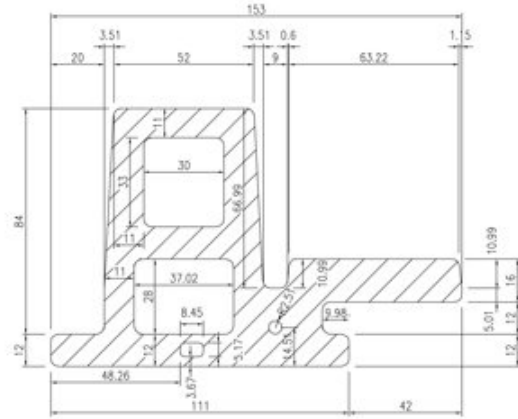


TERRART® - Type 01



TEIL K.T.01



NEUTEIL 11


Alle Radien 3 mm

CSG Central St. Giles - Ceramic Facades - Neuteil 11 - Sc. 1/1 - RPBW April 2007

APPROVED BY:  
PROJECT: CSG  
NBK COLOUR: M 1.01-0  
CLIENT:  
DATE: 27.03.2007  
SIGNATURE:

Dryhole position and size  
by NBK

All Radius = (3mm)

B			
Revised :	Date :	Modification :	Checked :
 Reeser Strasse 235 46446 Emmerich Tel.: +49 2822 8111 - 0 Fax: +49 2822 8111 - 20 <a href="http://www.nbk.de">http://www.nbk.de</a> info@nbk-keramik.de			
Drawn :	Strasescu	Date :	27.03.2007
		Size :	A4
Title :			Checked :
TerrArt Type 01			Drawing No.:
CSG			01
Project :			Rev.:
			Project No.:
			Scale :
			1 : 3

Titolo TerrArt Type 01 CSG

Scala NTS

Data 2007/03/27

Numero Disegno -

Codice disegno SGI\_DW\_444

Autore NBK Keramik

Copyright NBK Keramik